



TS3000 Series

Remote Temperature Sensors

Description

The TS3000 Series is designed to provide remote temperature inputs for Superstat programmable thermostats.

The TS3000 Series' continuous averaging sensor matches the platinum R-T characteristics but is composed of a proprietary element encased within a bendable copper sheath. The continuous averaging sensor is designed to average out temperature stratification in a duct or plenum.

The TS3000 Series features:

- Available in ten mounting configurations
- Platinum resistance type temperature sensors
- Linear, drift-free operation
- TS3004 provides four sensor outputs for redundancy

The TS3100 features:

- Push button setpoint adjust with LED indication
- Unoccupied override with LED indication
- Programmable setpoint adjust limits

Specifications

Accuracy: +/- 1°F

Reference Resistance: 1082 Ω @ 70°F (21.1°C)

541 Ω @ 70°F room averaging (TS3020)

361 Ω @ 70°F (TS3030)

Temperature Coefficient: 2.14 Ω /°F

Stability: 0.05% drift per year

TS3004 requires extra wires for the additional sensors (4 twisted, shielded pair total).

TS3010 requires extra wires for the override (2 wires plus 1 twisted, shielded pair – total of 4 wires).

TS3100 is compatible with SZ1000 series Superstats with firmware version 1.4 or later and requires extra wires for the setpoint adjust override, and LED indicators (5 wires plus 1 twisted, shielded pair – total of 7 wires).

Specifications subject to change without notice.

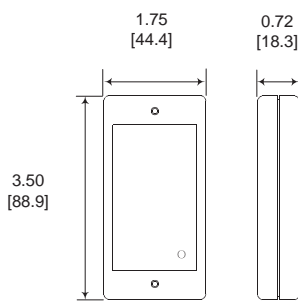
Ordering Information

Part No.	Description
TS3000	Space temperature sensor, decorator style
TS3001	Space temperature sensor, secure style
TS3010	Space temperature sensor, decorator style, with override
TS3020	Space temperature sensor, decorator style, two-sensor averaging kit
TS3030	Space temperature sensor, decorator style, three-sensor averaging kit
TS3002	Discharge/Return air temperature sensor
TS3003	Outside air temperature sensor
TS3004	Outside air quad temperature sensor
TS3008	Mixed air continuous averaging temperature sensor
TS3100	Space temperature sensor, decorator style, with setpoint and override

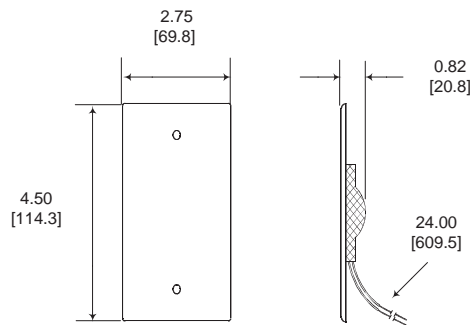
Dimensions

Note: inches [mm]

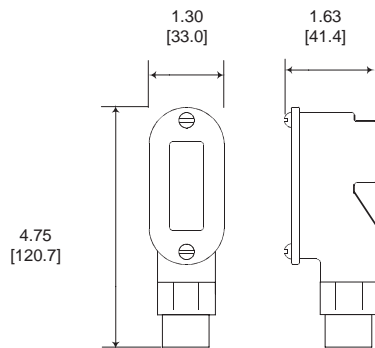
Space Decorator Style



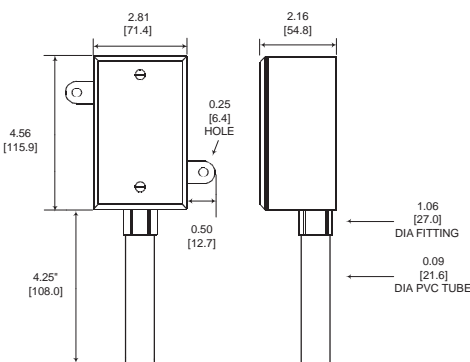
Secure Style



Outdoor Style



Outdoor Quad Style



Discharge/Return Air Style & Averaging Style

